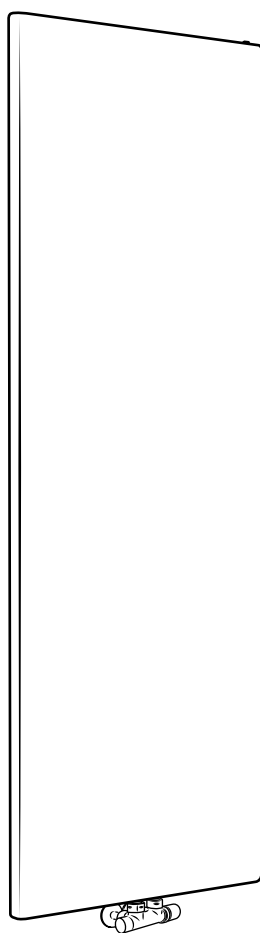


Hudson Reed

Vertical Designer Radiator

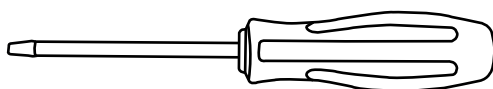
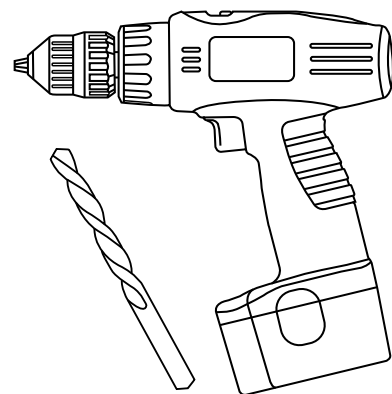
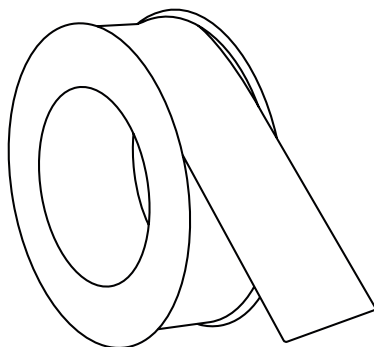
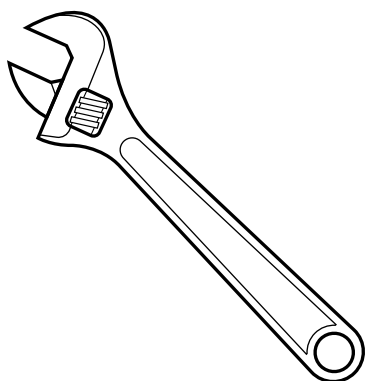


i Style may vary

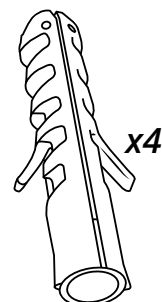
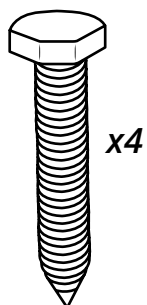
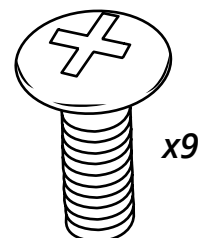
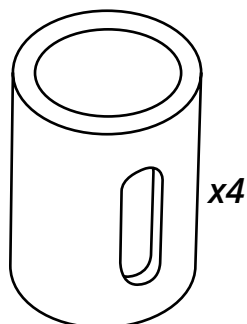
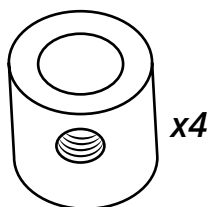
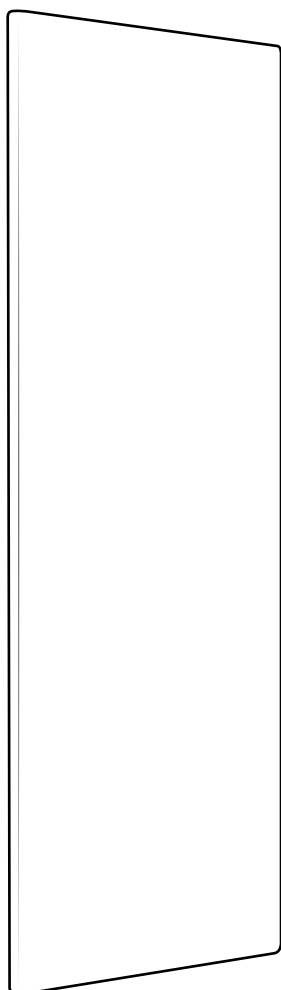
Installation Guide

Installation

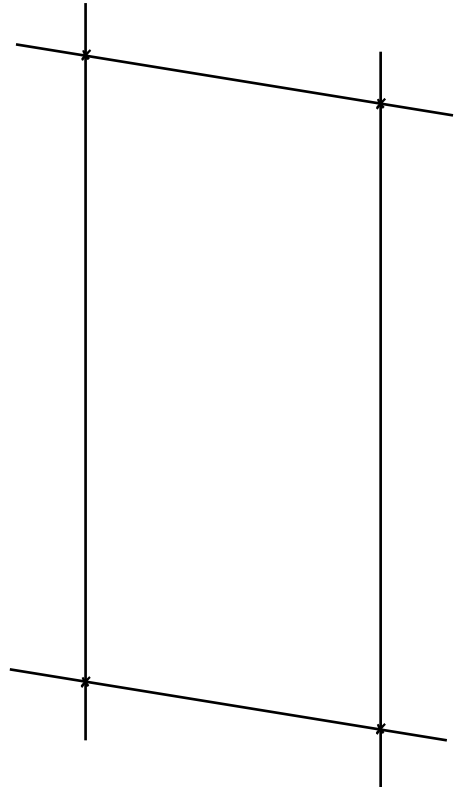
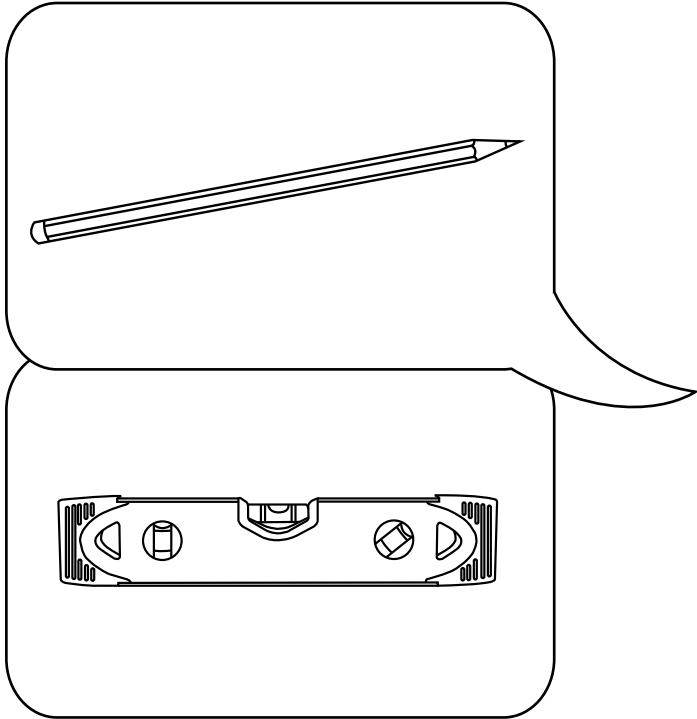
Tools required for installing:



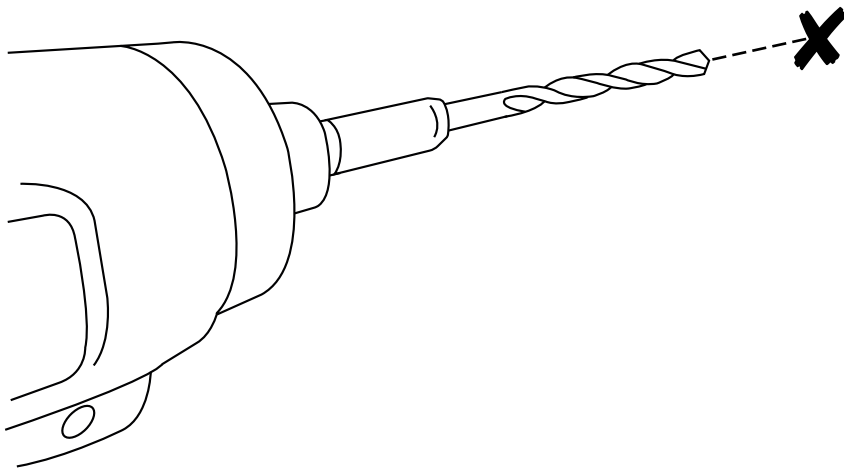
Parts included:



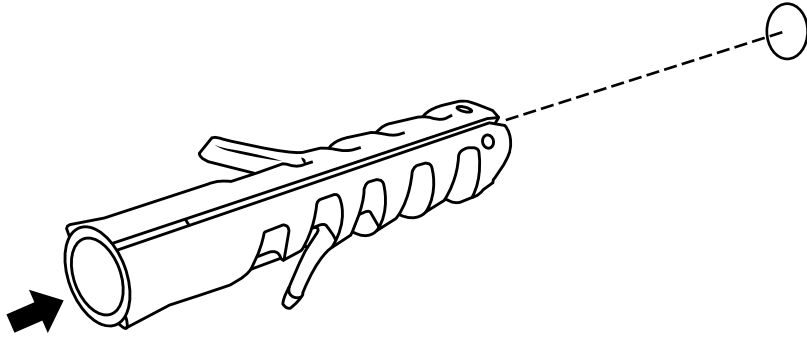
1



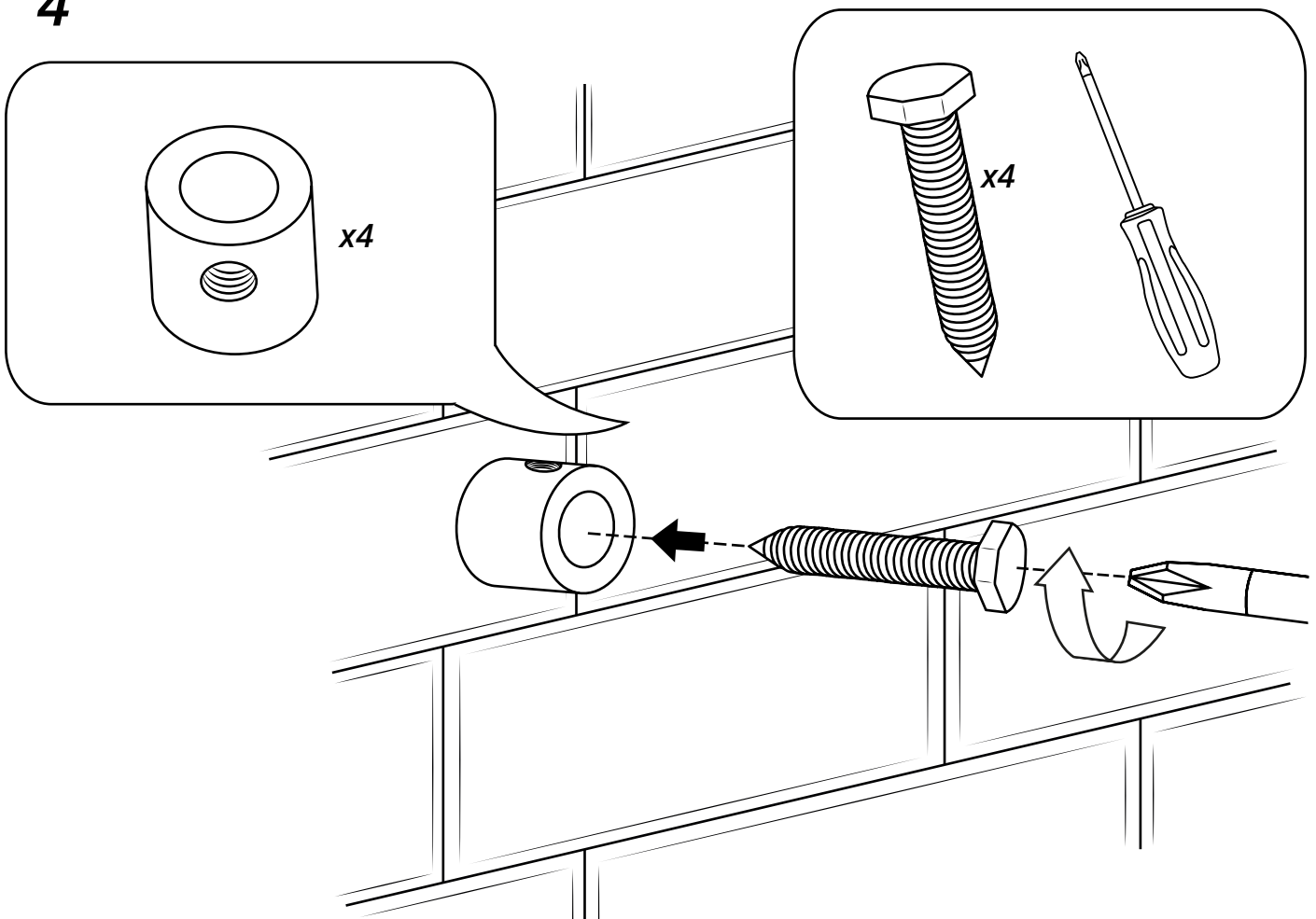
2



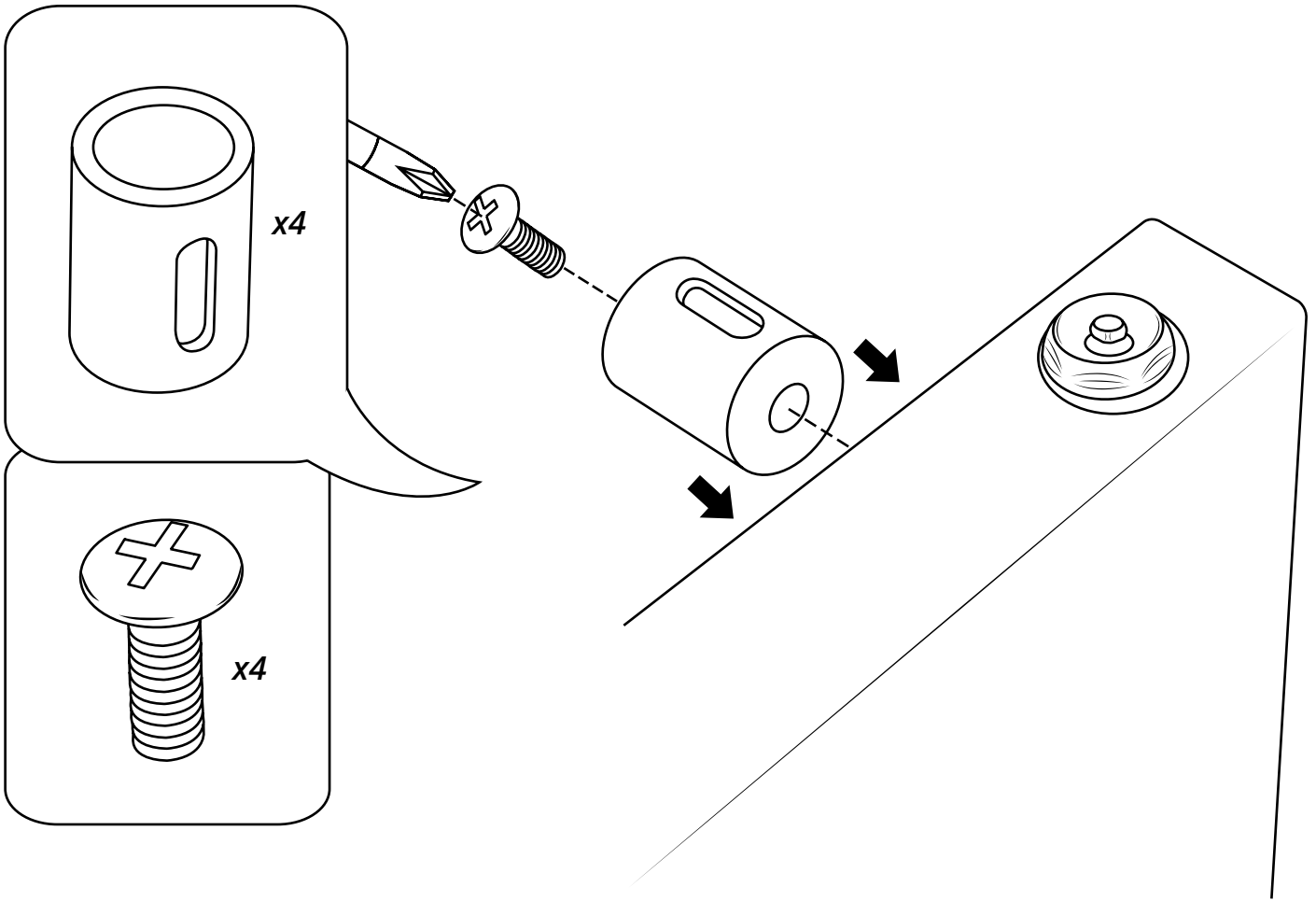
3



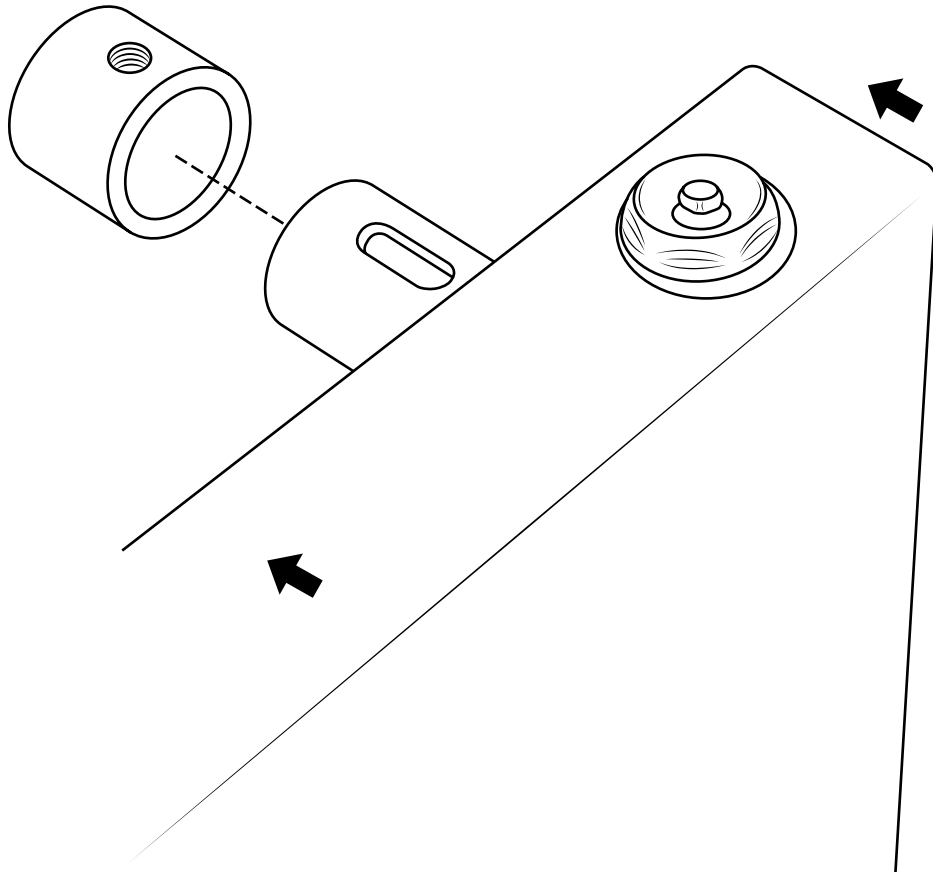
4



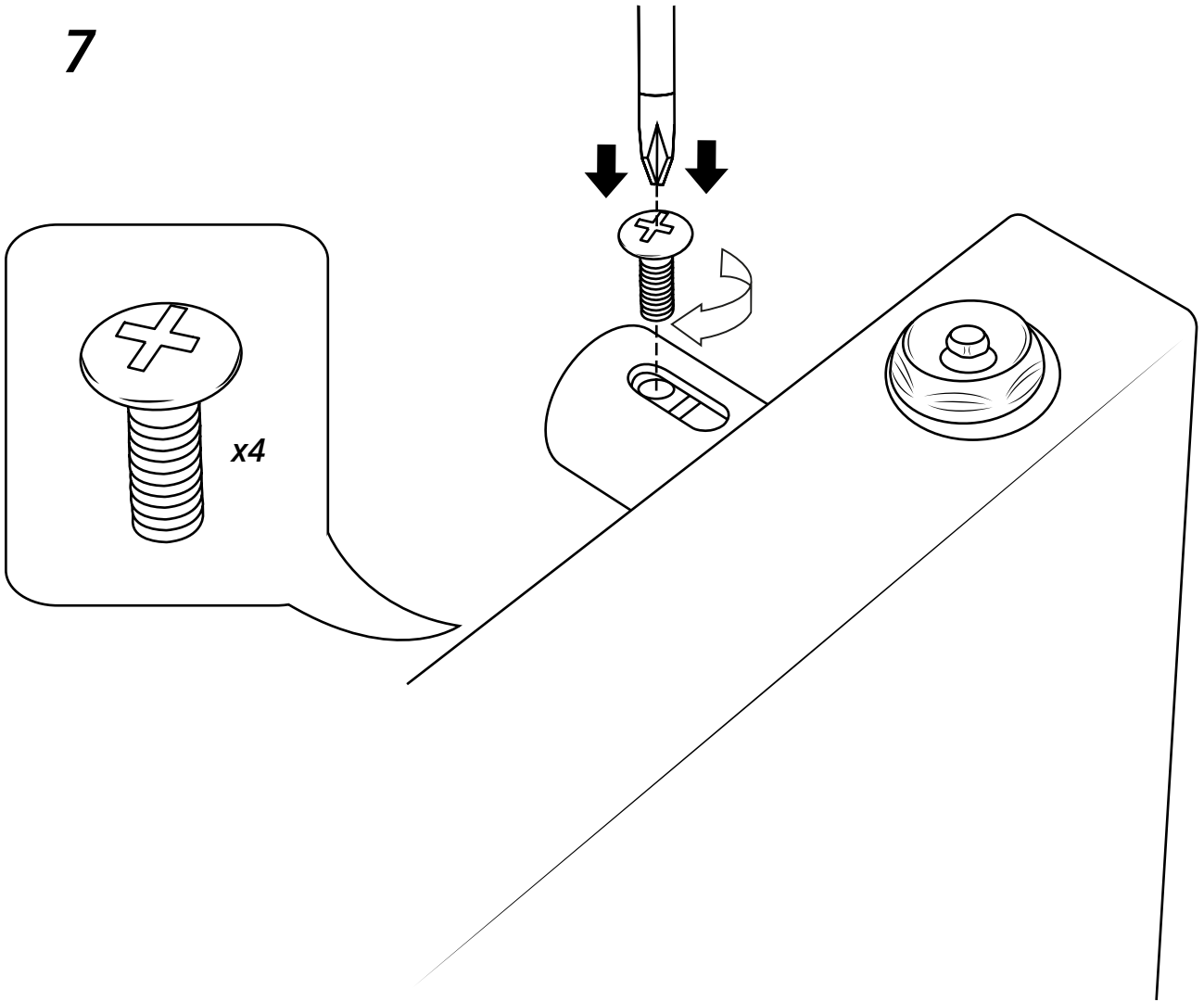
5



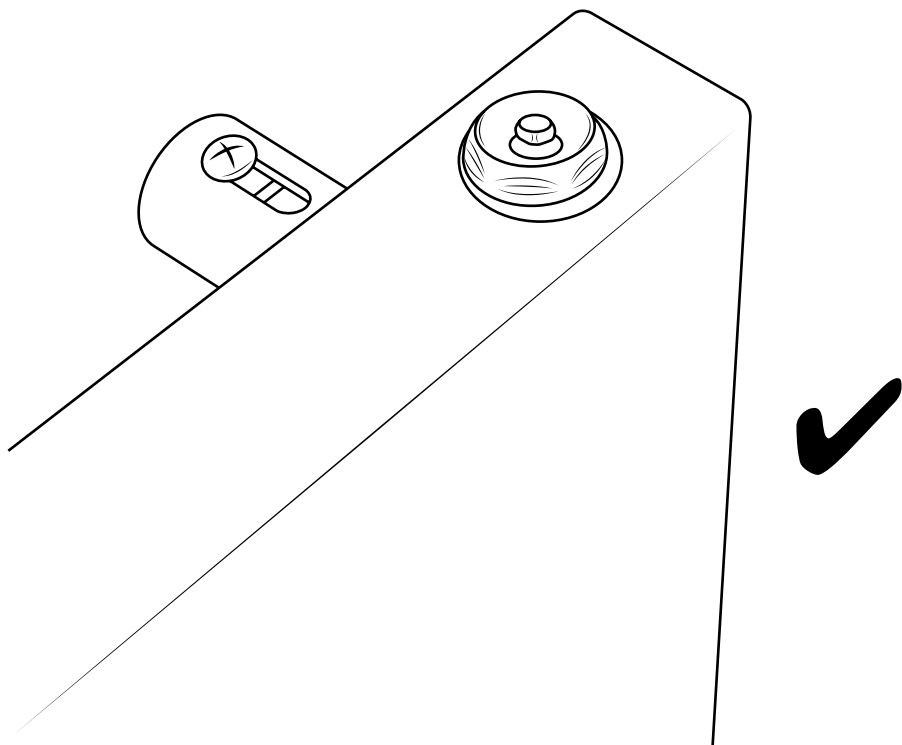
6



7



8



9

